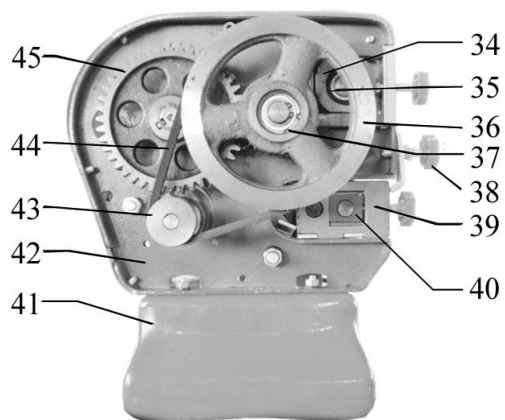
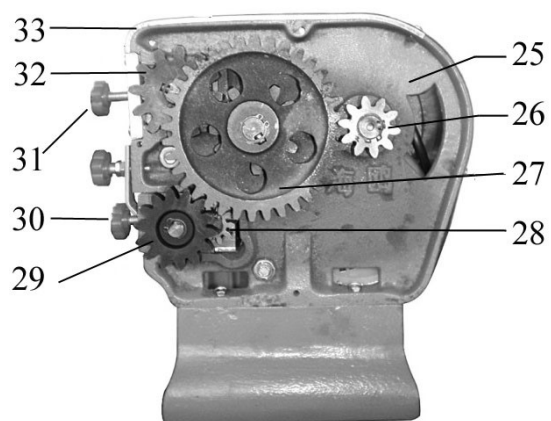
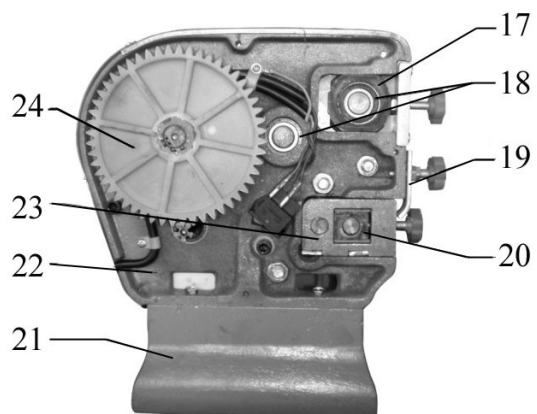
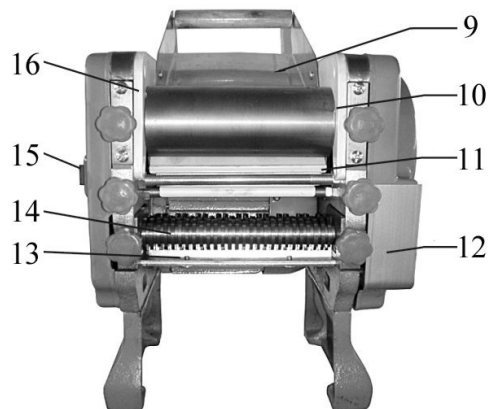


ТЕСТОРАСКАТКА-ЛАПШЕРЕЗКА ЭЛЕКТРИЧЕСКАЯ HURAKAN HKN-NM200S


**ТЕСТОРАСКАТКА-ЛАПШЕРЕЗКА ЭЛЕКТРИЧЕСКАЯ HURAKAN HKN-NM200S**

Поз	Наименование детали
1	Motor
2	Transmission rod
3	Machine cover I
4	Noodles roller I
5	Noodles roller II
6	Machine cover II
7	Electric plug
8	Back cover
9	Container of flour
10	Front-panel block I
11	Scrap of roller
12	Gear cover
13	Scrap of the knife
14	Noodles knife
15	Switch
16	Front-panel block II
17	The bearing cover
18	Bearings 6003
19	Noodle knife presser
20	Noodles knife set
21	Machine feet
22	Frame I
23	Noodles knife clipboard
24	Speed reducing gear
25	Frame II
26	Transmission gear
27	Noodles roller gear
28	Noodles knife gear I
29	Noodles knife gear II
30	Noodles knife modulator
31	Noodles roller modulator
32	Noodles roller gear II
33	Machine-cover bar
34	Bearing cover
35	Bearings 6003
36	Connection gear
37	Bearings 6002
38	Noodle knife presser
39	Noodles knife clipboard
40	Noodles knife set
41	Machine feet
42	Frame I
43	Small belt pulley
44	V-belt Z480
45	Speed reducing gear